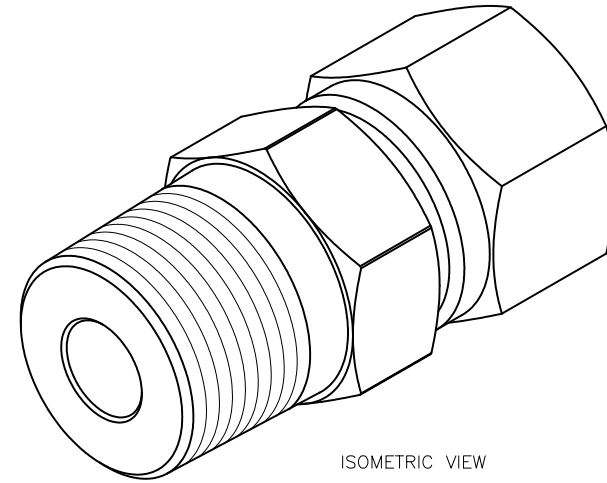
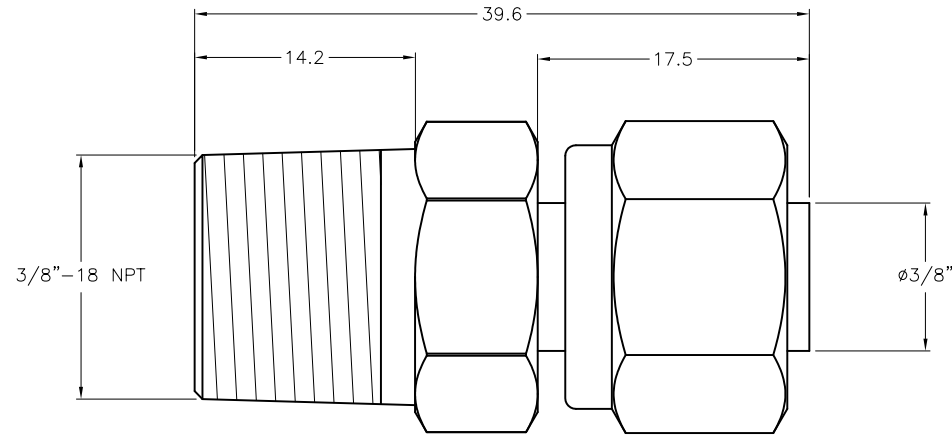
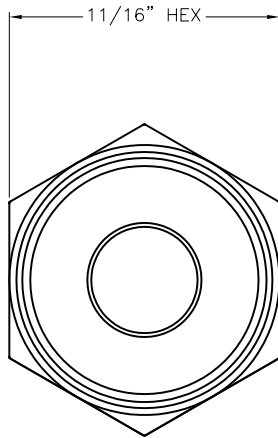


NOTES:

- 1) MATERIAL: A.I.S.I 316
- 2) ALL DIMENSIONS ARE REFERENCE.



ISOMETRIC VIEW



RELATED DOCUMENTS		3RD ANGLE PROJECTION		THIS DRAWING IS PROPERTY OF TURCK INC. USE OF THIS DOCUMENT WITHOUT WRITTEN PERMISSION IS PROHIBITED.				TURCK INC High Technology Sensors and Automation Controls 3000 CAMPUS DRIVE MINNEAPOLIS, MN 55441 1-800-544-7769 (763) 553-7300 (763) 553-0708 fax turck.com	
1.		TOLERANCES UNLESS OTHERWISE SPECIFIED		DRFT	RDS	DATE	DESCRIPTION		
2.				DSGN	MH	SCALE			
3.		0.5 TO 6 ±0.1 6 TO 30 ±0.2 30 TO 200 ±0.3 OVER 200 ±0.4 ANGLES ±1°		UNIT OF MEASUREMENT			IDENTIFICATION NO.		
4.				MILLIMETERS					
MATERIAL		SEE SPECIFICATIONS		DO NOT SCALE THIS DRAWING			REV		
FINISH		SEE SPECIFICATIONS		FILE: A9307			A		

A	DRAWING RELEASE	RDS	09/13/06	
REV	DESCRIPTION	BY	DATE	ECO NO.